

S40MI/CI-125GS

0.4MP 1/2.9" CMOS Gigabit Ethernet Industrial Area Scan Camera

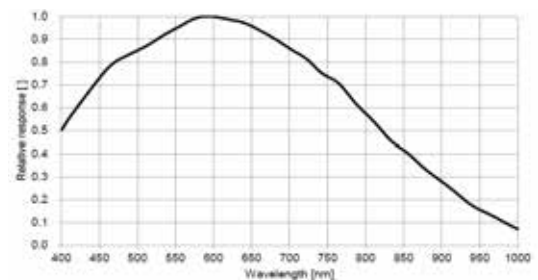
The S40MI/CI-125GS second-generation industrial area scan camera adopts a new hardware platform to achieve lower power consumption, and is equipped with Sony's IMX297 global shutter CMOS chip, which has low noise, excellent image and high cost performance. Image transmission through Gigabit Ethernet interface, fast real-time transmission of uncompressed data, and the highest frame rate at full resolution 125.2fps.



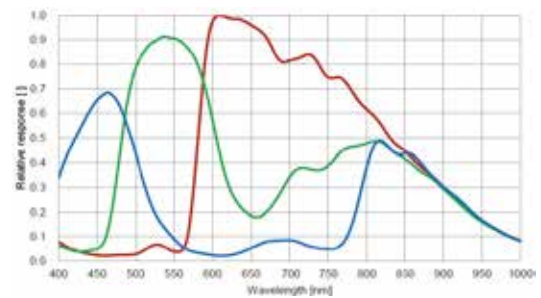
Features:

- New hardware platform, optimized logic resources, greatly reduced power consumption.
- Support automatic or manual adjustment of gain, exposure time, white balance, LUT, Gamma correction, etc.
- The camera is embedded with functions such as noise reduction and CCM, and the image quality is excellent.
- Gigabit Ethernet interface, the maximum transmission distance can reach 100m without relay.
- A new generation of appearance structure design, support four-sided installation.
- Compatible with GigE Vision V2.0 protocol and GeniCam standard, seamless connection with third-party software.

Sensor:

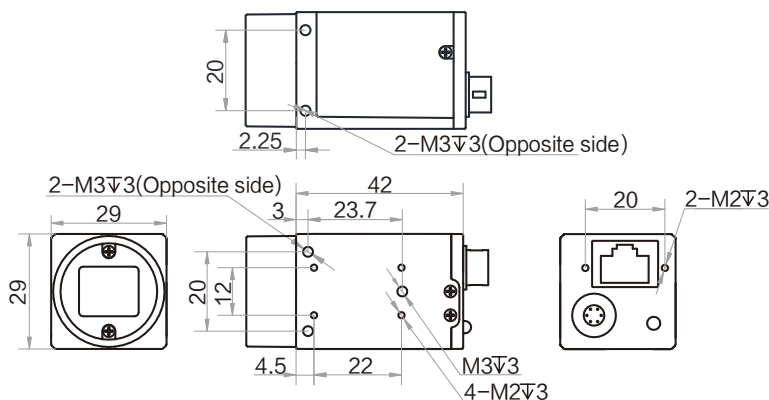


S40MI-125GS Quantum Efficiency



S40CI-125GS Quantum Efficiency

Dimensions:



Application industry:

Electronic semiconductor, factory automation, food and beverage, pharmaceutical packaging, image measurement, etc.

Order model:

- Black and white camera : S40MI-125GS
- Color camera : S40CI-125GS

Technical parameter

Model	S40MI-125GS	S40CI-125GS
parameter	0.4MP 1/2.9" CMOS Gigabit Ethernet Industrial Area Scan Camera	
Performance		
Sensor type	CMOS, global shutter	
Sensor model	Sony IMX297	
Cell size	6.9 μm × 6.9 μm	
Target size	1/2.9"	
Resolution	720 × 540	
Maximum frame rate	125.2 fps @ 720 × 540	
Dynamic Range	74 dB	
Signal to noise ratio	41 dB	
Increase, benefit	0 dB ~ 24 dB	
Exposure time	Ultra-small exposure mode: 1 μs ~ 14 μs Normal exposure mode: 15 μs ~ 10 sec	
Shutter mode	Support automatic exposure, manual exposure, one-key exposure and other modes	
B&W	Black and white	Color
Pixel format	Mono 8/10/10Packed/12/12Packed	Mono 8/10/12 Bayer RG 8/10/10Packed/12/12Packed YUV422Packed, YUV422_YUYV_Packed RGB8, BGR8
Binning	Support 1 × 1, 1 × 2, 1 × 4, 2 × 1, 2 × 2, 2 × 4, 4 × 1, 4 × 2, 4 × 4	
Downsampling	Support 1 × 1, 1 × 2, 1 × 4, 2 × 1, 2 × 2, 2 × 4, 4 × 1, 4 × 2, 4 × 4	
Mirror	Support horizontal mirror, vertical mirror output	
Electrical Characteristics		
Data interface	Gigabit Ethernet (1000Mbit/s) compatible with Fast Ethernet (100Mbit/s)	
Figure No I/O	The 6-pin P7 connector provides power and I/O: 1 optocoupler isolated input (Line0), 1 optocoupler isolated output (Line1), 1 bidirectional configurable non-isolated I/O (Line2)	
Powered by	9 ~ 24VDC, support PoE power supply	
Typical power consumption	2.2 W@12 VDC	2.5 W@12 VDC
Structure		
Lens mount	C-Mount	
Dimensions	29 mm × 29 mm × 42 mm	
Weight	About 100 g	
IP protection class	IP40 (when the lens and cable are installed correctly)	
Temperature	Working temperature -30°C ~ 60°C, storage temperature -30 ~ 70°C	
Humidity	20%~95% RH non-condensing	
General Specifications		
Software	Supports GigE Vision protocol software	
Operating system	Windows XP/7/10 32/64bits, Linux 32/64 bits and MacOS 64bits	
Protocol/Standard	GigE Vision V2.0, GenICam	
Certification	CE, FCC, RoHS, KC	