

S2000MI/CI-6RS

20MP 1" CMOS Gigabit Ethernet Industrial Area Scan Camera

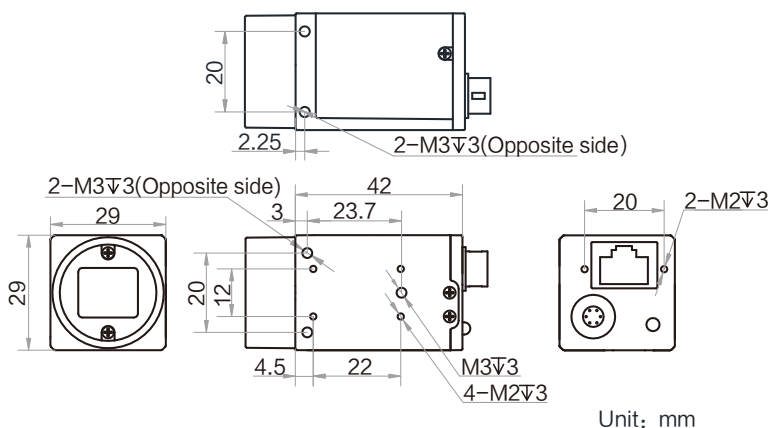
The S2000MI/CI-6RS second-generation industrial area scan camera adopts a new hardware platform to achieve lower power consumption, and is equipped with Sony's IMX183 CMOS chip, which has low noise, high resolution, excellent image and high cost performance. Image transmission via Gigabit Ethernet interface for fast real-time data transfer with frame rates up to 5.9 fps at full resolution.



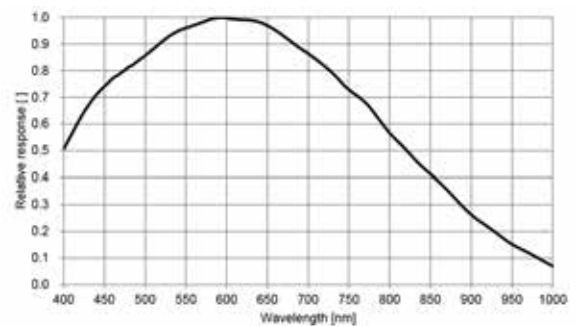
Features:

- Support automatic or manual adjustment of gain, exposure time, white balance, LUT, Gamma correction, etc.
- Integrate a variety of ISP algorithms, support CCM, LSC correction, etc. with rich functions.
- A new generation of appearance structure design, support four-sided installation.
- Gigabit Ethernet interface, the maximum transmission distance can reach 100m without relay.
- Compatible with GigE Vision V2.0 protocol and GeniCam standard, seamless connection to third-party software.

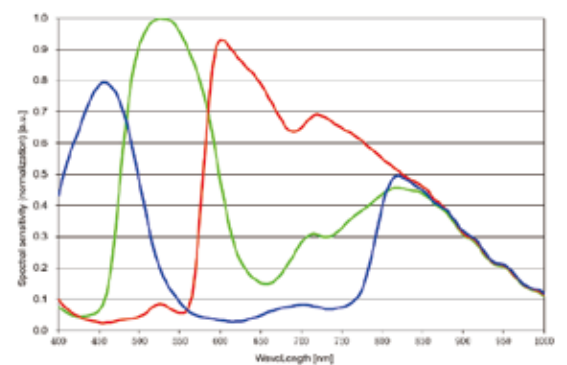
Dimensions:



Sensor:



S2000MI-6RS Quantum Efficiency



S2000CI-6RS Quantum Efficiency

Application industry:

SMT/ PCB AOI, consumer electronics, electrical semiconductors, etc.

Order model:

Black and white camera:

S2000MI-6RS

Color camera:

S2000CI-6RS

Technical parameter

Model	S2000MI-6RS	S2000CI-6RS
parameter	20MP 1" CMOS Gigabit Ethernet Industrial Area Scan Camera	
Performance		
Sensor type	CMOS, Rolling shutter	
Sensor model	Sony IMX183	
Cell size	2.4 μm × 2.4 μm	
Target size	1"	
Resolution	5472 × 3648	
Maximum frame rate	5.9 fps @5472 × 3648	
Dynamic Range	65.5 dB	
Signal to noise ratio	41.5 dB	
Increase, benefit	0 dB ~ 24 dB	
Exposure time	46 μs ~ 2.5sec	
Shutter mode	Support automatic exposure, manual exposure, one-key exposure mode, support Global Reset and Trigger Rolling Function	
B&W	Black and white	Color
Pixel format	Mono 8/10/10Packed/12/12Packed	Mono 8/10/12 Bayer RG 8/10/10Packed/12/12Packed YUV422Packed, YUV422_YUYV_Packed RGB8, BGR8
Binning	Support 1 × 1, 2 × 2, 4 × 4	
Downsampling	Support 1 × 1, 2 × 2	
Mirror	Support horizontal mirror, vertical mirror output	
Electrical Characteristics		
Data interface	Gigabit Ethernet (1000Mbit/s) compatible with Fast Ethernet (100Mbit/s)	
Figure No I/O	The 6-pin P7 connector provides power and I/O: 1 optocoupler isolated input (Line0), 1 optocoupler isolated output (Line1), 1 bidirectional configurable non-isolated I/O (Line2)	
Powered by	9 ~ 24VDC, support PoE power supply	
Typical power consumption	2.4 W@12 VDC	2.5 W@12 VDC
Structure		
Lens mount	C-Mount	
Dimensions	29 mm × 29 mm × 42 mm	
Weight	About 100 g	
IP protection class	IP40 (when the lens and cable are installed correctly)	
Temperature	Working temperature -30°C~ 60°C, storage temperature -30°C ~ 70°C	
Humidity	20%~95% RH non-condensing	
General Specifications		
Software	Supports GigE Vision protocol software	
Operating system	Windows XP/7/10 32/64bits, Linux 32/64 bits and MacOS 64bits	
Protocol/Standard	GigE Vision V2.0, GenICam	
Certification	CE, FCC, RoHS, KC	