

# H500MU/CU-74GS

## 5MP 2/3" CMOS USB3.0 Industrial Area Scan Camera

H500MU/CU-74GS high-end area scan camera, using Sony Pregius series IMX250 CMOS chip, low noise, excellent image.



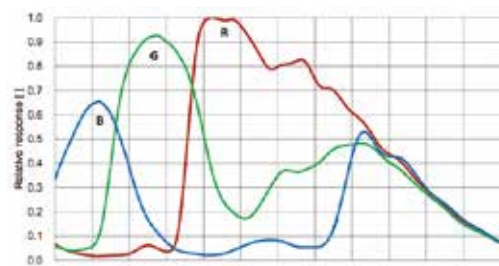
### Features:

- Support automatic or manual adjustment of gain, exposure time, white balance, Gamma correction, LUT, etc.
- Support hard trigger, soft trigger and free operation mode.
- Support custom ROI, support horizontal mirroring and vertical mirroring.
- Compatible with USB3 Vision protocol and GenICam standard, can access third-party software platforms.

### Sensor:



H500MU-74GS Quantum Efficiency



H500CU-74GS Quantum Efficiency

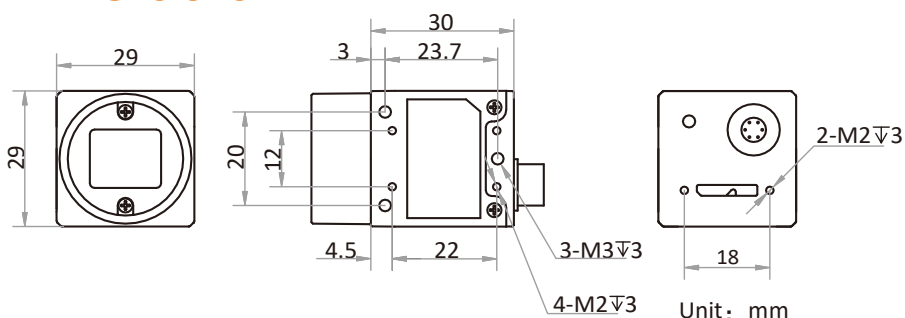
### Application industry:

Electronic semiconductor, factory automation, logistics, Codereading, pharmaceutical packaging, etc.

### Order model:

Black and white camera:  
H500MU-74GS  
Color camera:  
H500CU-74GS

### Dimensions:



## Technical parameter

parameter	Model	
	H500MU-74GS	H500CU-74GS
	5MP 2/3" CMOS USB3.0 Industrial Area Scan Camera	
Performance		
Sensor type	CMOS, global shutter	
Sensor model	Sony IMX250	
Cell size	3.45 μm × 3.45 μm	
Target size	2/3"	
Resolution	2448 × 2048	
Maximum frame rate	74 fps@2448 × 2048	
Dynamic Range	75.4 dB	
Signal to noise ratio	40 dB	
Increase, benefit	0 dB ~ 17 dB	0 dB ~ 20 dB
Exposure time	Ultra-small exposure mode: 1 μs~14 μs Normal exposure mode: 15 μs~10 sec	
Shutter mode	Support automatic exposure, manual exposure, one-key exposure mode	
B&W	Black and white	color
Pixel format	Mono 8/10/10Packed/12/12Packed	Mono 8/10/12 Bayer GB 8/10/10Packed/12/12Packed YUV422Packed, YUV422_YUYV_Packed RGB 8, BGR 8
Binning	Support 1 × 1, 2 × 2	
Downsampling	Support 1 × 1, 2 × 2	
Mirror	Support horizontal mirroring, vertical mirroring	
Electrical Characteristics		
Data interface	USB3.0, compatible with USB2.0	
Figure No I/O	The 6-pin P7 connector provides power and I/O: 1 optocoupler isolated input (Line0), 1 optocoupler isolated output (Line1), 1 bidirectional configurable non-isolated I/O (Line2)	
Powered by	9 ~ 24VDC, support USB power supply	
Typical power consumption	3.5 W@5 VDC (USB powered)	
Structure		
Lens mount	C-Mount	
Dimensions	29 mm × 29 mm × 30 mm	
Weight	About 80 g	
IP protection class	IP30 (when the lens and cable are installed correctly)	
Temperature	Working temperature 0 ~ 50°C, storage temperature -30 ~ 70°C	
Humidity	20%~80% RH non-condensing	
General Specifications		
Software	Support USB3 Vision protocol software	
Operating system	Windows XP/7/10 32/64bits, Linux 32/64 bits and MacOS 64bits	
Protocol/Standard	USB3 Vision, GenICam	
Certification	CE, FCC, RoHS, KC	