

H1200MI-11GS

12MP 1.1” CMOS Gigabit Ethernet Industrial Area Scan Camera

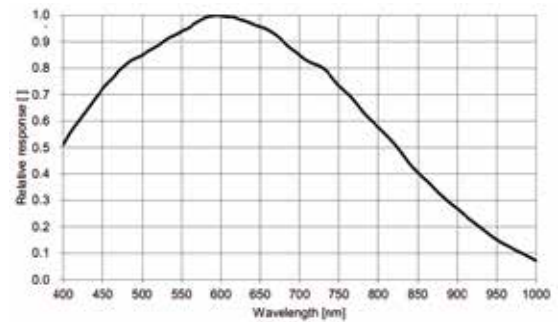
H1200MI-11GS high-end area scan camera, using Sony's IMX304 CMOS chip, low noise, high resolution and excellent image. Real-time transmission of uncompressed images via a Gigabit Ethernet interface with a maximum frame rate of 9.4 fps at full resolution.



Features:

- Support automatic or manual adjustment of gain and exposure time、 LUT, Gamma correction, etc.
- Using gigabit Ethernet interface, without relay, the maximum transmission distance can be up to 100m.
- Support four-sided installation.
- Compatible with GigE Vision V2.0 protocol and GenICam standard, seamless access to third-party software platforms.

Sensor:



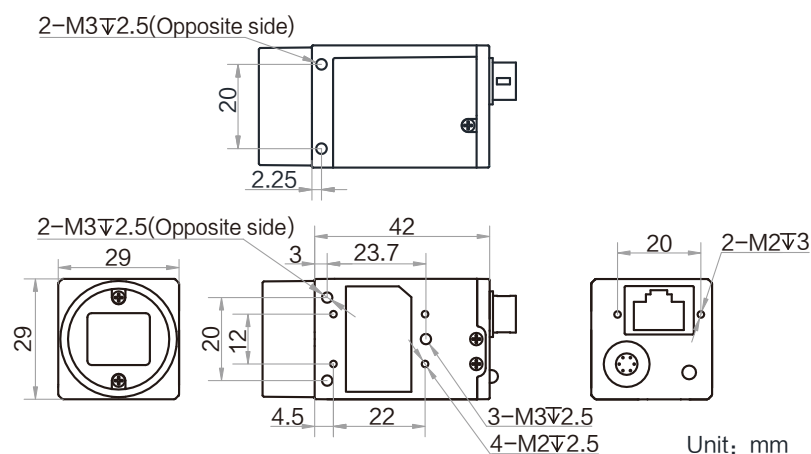
Application industry:

Electronic semiconductor, factory automation, logistics, Codereading, pharmaceutical packaging, etc.

Order model:

H1200MI-11GS

Dimensions:



Technical parameter

Model	H1200MI-11GS
parameter	12MP 1.1" CMOS Gigabit Ethernet Industrial Area Scan Camera
Performance	
Sensor type	CMOS, global shutter
Sensor model	Sony IMX304
Cell size	3.45 μm \times 3.45 μm
Target size	1.1"
Resolution	4096 \times 3000
Maximum frame rate	9.4 fps @4096 \times 3000
Dynamic Range	72.2 dB
Signal to noise ratio	40.2 dB
Increase, benefit	0 dB ~ 20 dB
Exposure time	Ultra-small exposure mode: 1 μs ~14 μs Normal exposure mode: 15 μs ~10 sec
Shutter mode	Support automatic exposure, manual exposure, one-key exposure mode
B&W	Black and white
Pixel format	Mono 8/10/10Packed/12/12Packed
Binning	Support 1 \times 1, 2 \times 1, 1 \times 2, 2 \times 2, 1 \times 4, 4 \times 1, 2 \times 4, 4 \times 2, 4 \times 4
Downsampling	Support 1 \times 1, 2 \times 1, 1 \times 2, 2 \times 2
Mirror	Support horizontal mirroring, vertical mirroring
Electrical Characteristics	
Data interface	Gigabit Ethernet (1000Mbit/s) compatible with Fast Ethernet (100Mbit/s)
Figure No I/O	The 6-pin P7 connector provides power and I/O: 1 optocoupler isolated input (Line0), 1 optocoupler isolated output (Line1), 1 bidirectional configurable non-isolated I/O (Line2)
Powered by	9 ~ 24VDC, support PoE power supply
Typical power consumption	4.2 W@12 VDC
Structure	
Lens mount	C-Mount
Dimensions	29 mm \times 29 mm \times 42 mm
Weight	About 100 g
IP protection class	IP30 (when the lens and cable are installed correctly)
Temperature	Working temperature 0 ~ 50°C, storage temperature -30 ~ 70°C
Humidity	20%~80% RH non-condensing
General Specifications	
Software	Supports GigE Vision protocol software
Operating system	Windows XP/7/10 32/64bits, Linux 32/64 bits and MacOS 64bits
Protocol/Standard	GigE Vision V2.0, GenICam
Certification	CE, FCC, RoHS, KC