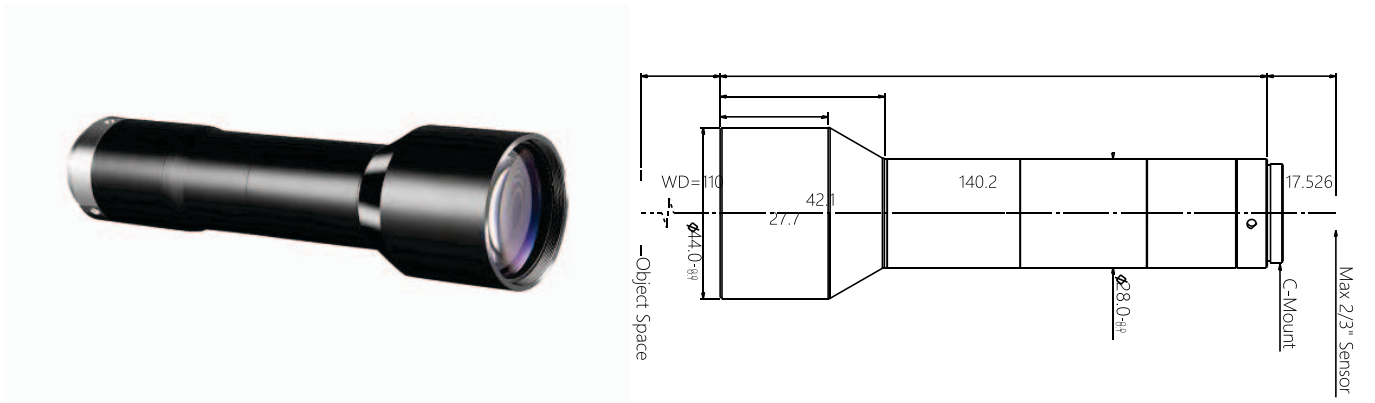


Specification High-performance object-oriented telecentric lens



2K Series Lens Features

- Support high-resolution object-oriented telecentric lenses for 5M~20M pixel area scan cameras;
- A variety of low magnification designs to adapt to application scenarios with a larger field of view;
- High definition, low distortion, high telecentric, especially suitable for high-precision AOI and positioning applications;
- Long working distance specifications facilitate lighting and machine component layout;
- Built-in coaxial optical specifications are particularly suitable for wafers, glass devices, and display devices;
- Can be quickly customized to meet different camera specifications, as well as magnification, working distance, and depth of field requirements.

Optical parameters

Magnification $\beta(x)$	0.4
Working distance (mm)	110 \pm 2
CCD size (Φ mm)	11(2/3")
F/#	7
MTF30 (lp/mm)	>140
Object Depth of Field DoF(mm)	\pm 1.8@F7
Image distortion (% max)	<0.02
Telecentricity ($^{\circ}$ max)	<0.03

Mechanical parameters

camera interface	C
Overall lens length (mm)	140.2
Whether the coaxial light	No

Viewable range (mm x mm)

1/1.8" EV76C570 (7.2x5.4)	18.0x13.5
1/1.7" IMX226 (7.5x5.6)	18.8x14.0
2/3" IMX250/264 (8.45x7.1)	21.1x17.8