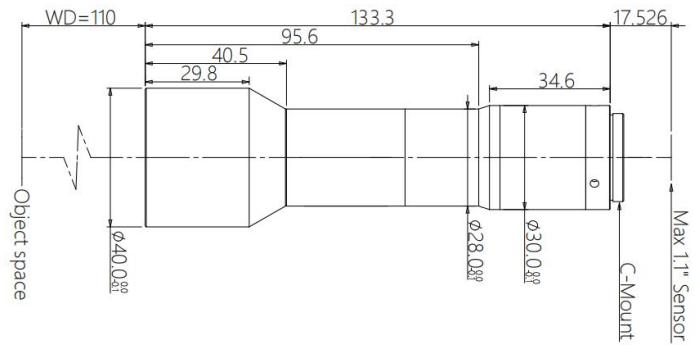


2K10-110-111

Specification

High-performance object-oriented telecentric lens



2K Series lens features

- Support high-resolution object-oriented telecentric lenses for 5M~20M pixel area scan cameras;
- A variety of low magnification designs to adapt to application scenarios with a larger field of view;
- High definition, low distortion, high telecentric, especially suitable for high-precision AOI and positioning applications;
- Long working distance specifications facilitate lighting and machine component layout;
- Built-in coaxial optical specifications are particularly suitable for wafers, glass devices, and display devices;
- Can be quickly customized to meet different camera specifications, as well as magnification, working distance, and depth of field requirements

Optical parameters

Magnification $\beta(x)$	1.0
Working distance (mm)	110 \pm 2
CCD size (Φ mm)	18.0(1.1")
F/#	7
MTF30 (lp/mm)	>105
Object Depth of Field DoF(mm)	\pm 0.3@F7
Image distortion (% max)	<0.13
Telecentricity ($^{\circ}$ max)	<0.18

Mechanical parameters

camera interface	C
Overall lens length (mm)	133.3
Whether the coaxial light	No

Viewable range (mm x mm)

1" IMX183 (13.13x8.76)	13.1x8.8
1.1" IMX253 (14.19x10.38)	14.2x10.4