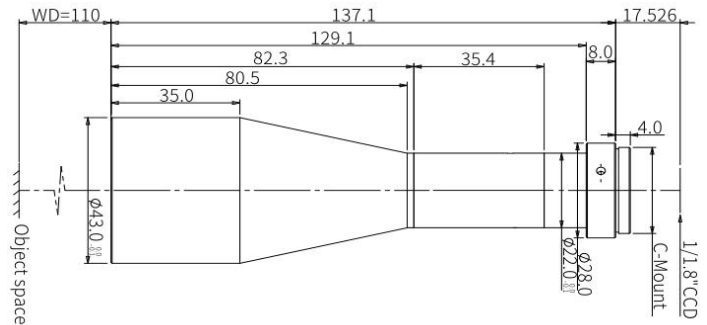


# 2H03-110CT

## Specification

## Megapixel telecentric lens



### 2H Series of megapixel lens features

- A full range of object-oriented telecentric fixed magnification lenses, with a variety of working distances/magnification / CCD to choose
- Perfect imaging quality, support megapixel digital cameras
- High contrast, low distortion, ultra-clear, built-in coaxial lighting
- Equipped with variable light bar specifications to achieve the best balance between resolution and depth of field
- Widely used in high-precision visual positioning and other occasions

### Optical parameters

Magnification $\beta(x)$	0.3
Working distance (mm)	110 $\pm$ 2
Image Square Maximum CCD Size ( $\Phi$ mm)	9.0(1/1.8")
F/#	9
Telecentricity ( $^{\circ}$ max)	<0.1
Image square distortion (%)	<0.1
Numerical aperture NA	0.0167
Object resolution ( $\mu$ m)	20.1
Object depth of field (mm)	8.0

### Mechanical parameters

Camera interface	C
Total lens length (mm)	137.1
Whether coaxial light / Dimmable bar	Yes/No

### Viewable range (mm x mm)

1/3"(4.8x3.6)	16.0x12.0
1/2"(6.4x4.8)	21.3x16.0
1/1.8"(7.13x5.37)	23.8x17.9