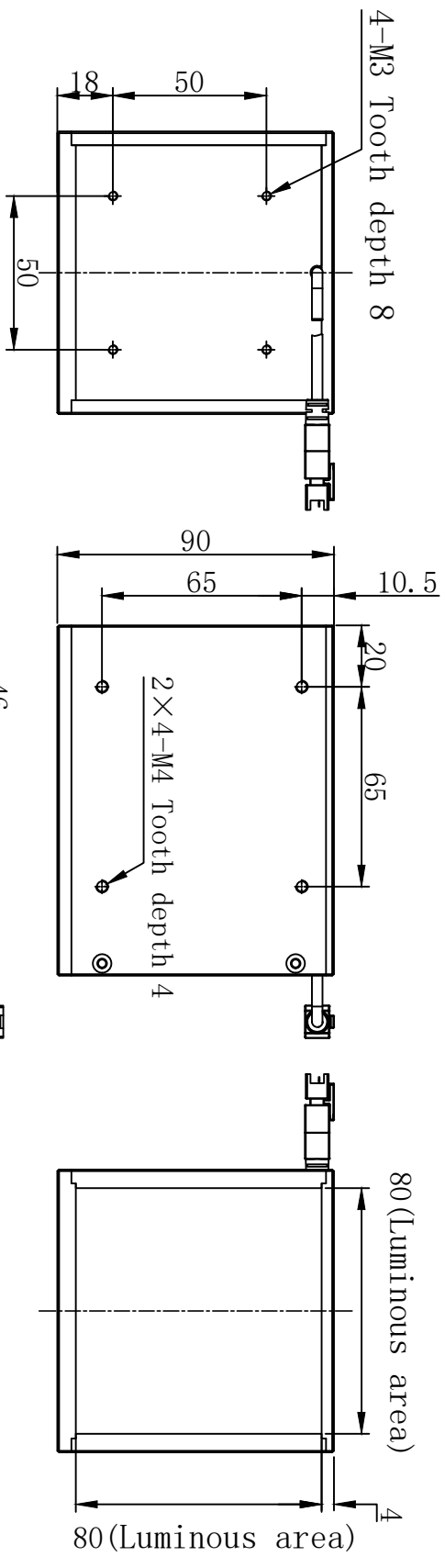




unit: mm



		Model
---	---	-------

ACOL80

Product installation dimensions

Version number	1.0	Name
----------------	-----	------

Corner coaxial lights

Proportion	1:2	Date
------------	-----	------

