

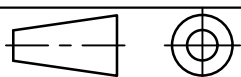
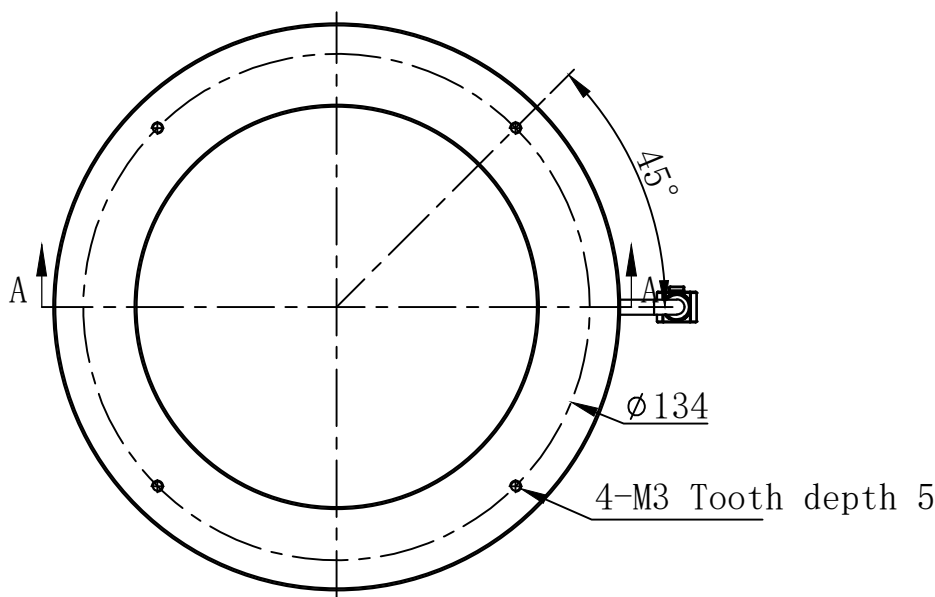
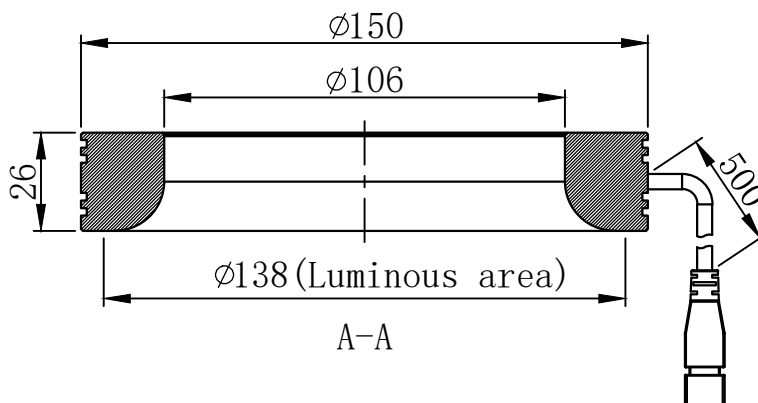
unit: mm

A

B

C

D



Model	CRL150
-------	--------

Product installation dimensions

Version number	1.0
----------------	-----

Name	Ring shadowless lights
------	------------------------

Proportion	1:2
------------	-----

Date	
------	--

