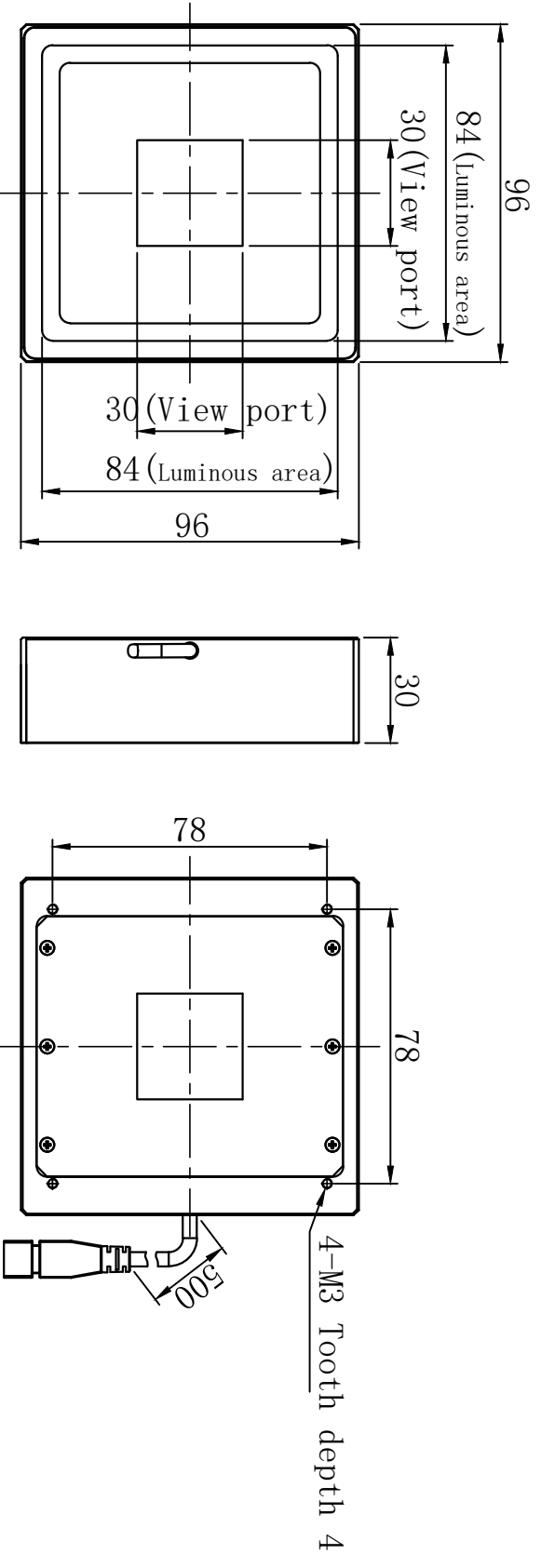


unit: mm



		Model	QNL96	Product installation dimensions
Version number	1.0	Name	Square shadowless lights	
Proportion	1:2	Date		

