

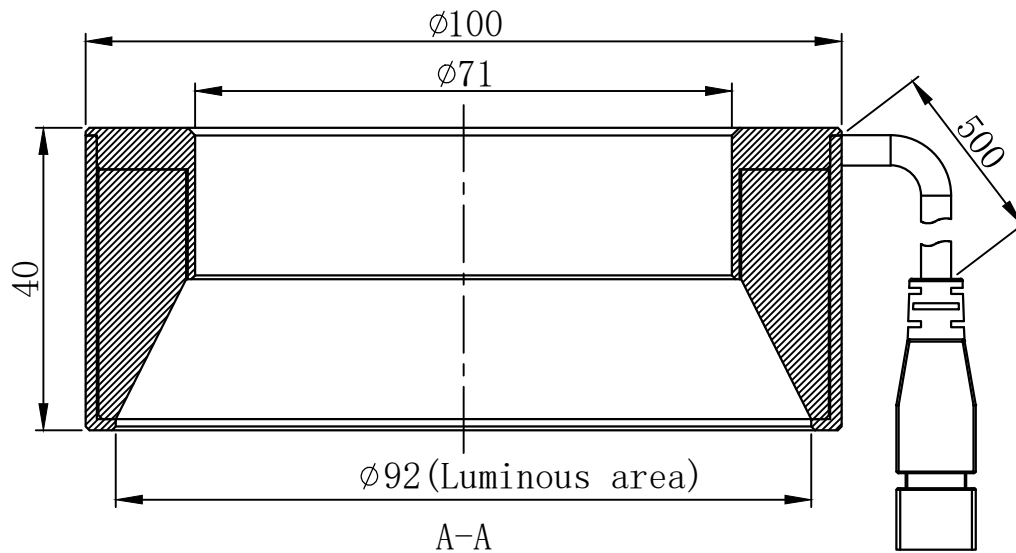
unit: mm

A

B

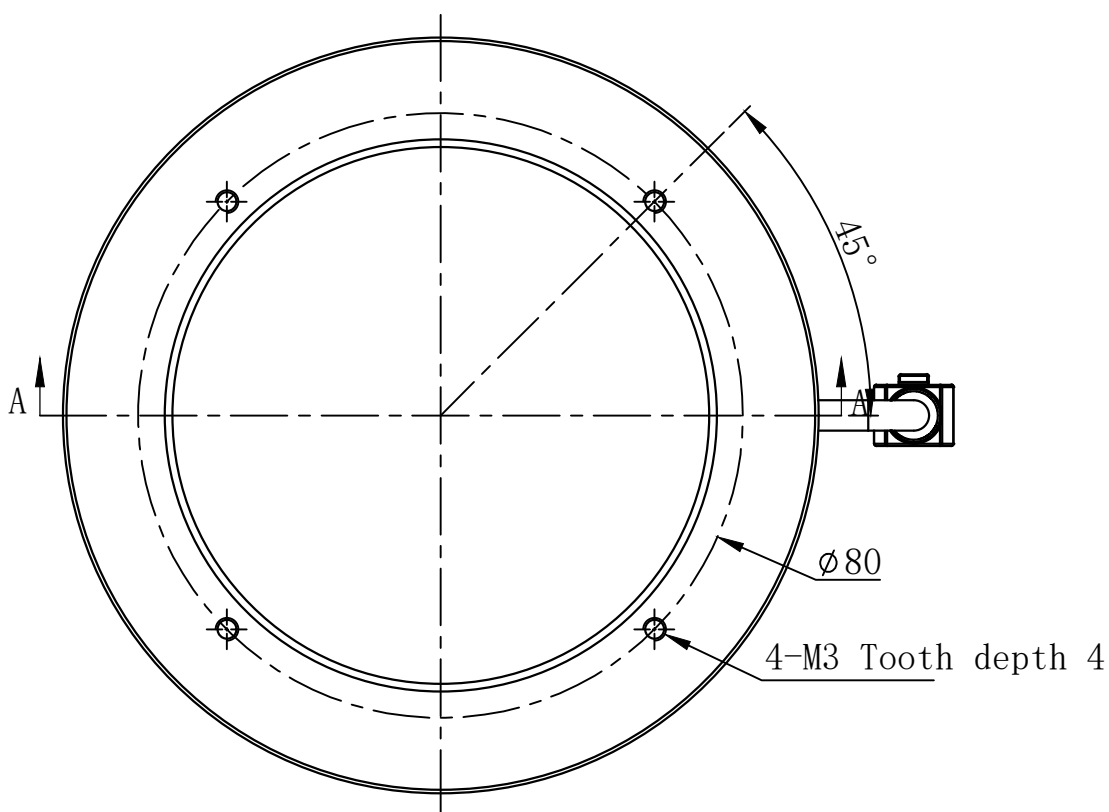
C

D



$\phi 92$ (Luminous area)

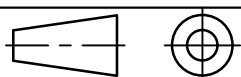
A-A



45°

$\phi 80$

4-M3 Tooth depth 4



Model TNL100

Product installation dimensions

Version number 1.0

Name Round shadowless lights

Proportion 1:1

Date

