

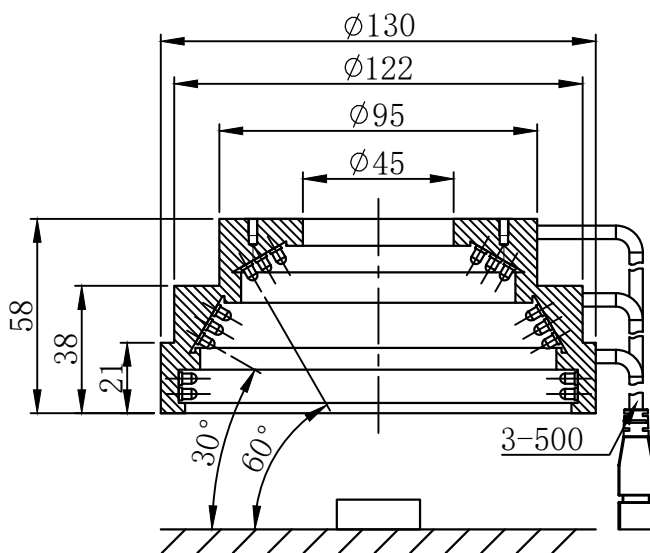
unit: mm

A

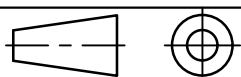
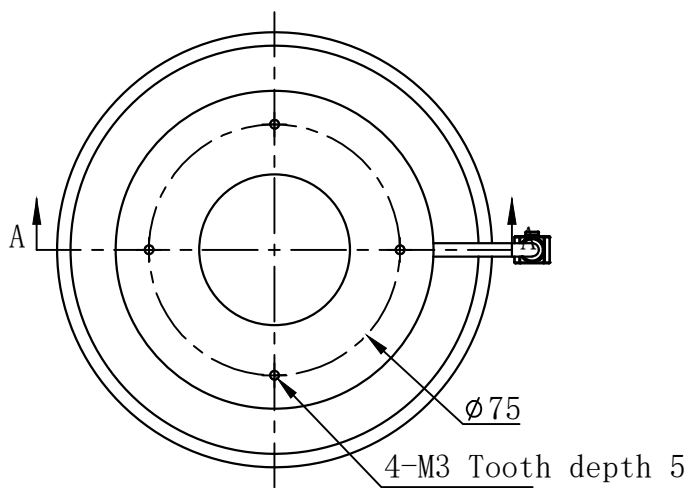
B

C

D



Test object
A-A



Model AOIL13045

Product installation dimensions

Version number 1.0

Name AOI lights

Proportion 1:2

Date

