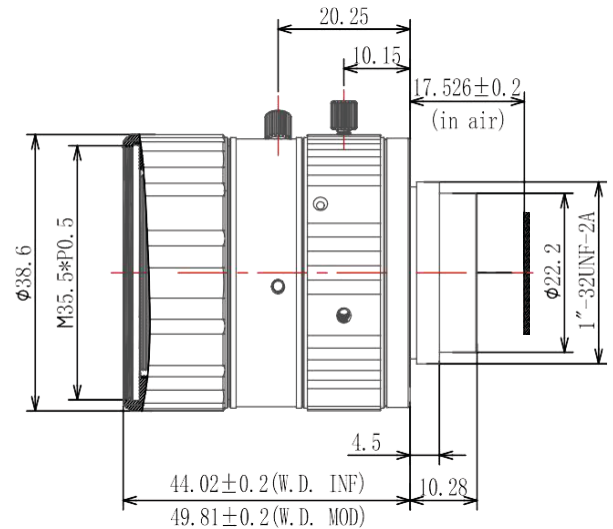


Specifications

FA lens

Lens Features

- Macro design, specially matched to machine vision applications
- Support target surface from 1/3" to 1.1", focal length from 6mm to 50mm, extremely wide selection range
- Support megapixel camera
- High definition, high contrast, low distortion, excellent performance
- Each lens has been rigorously tested to ensure constant quality



| 1" F2.8/25 C-Mount | | | | |
|----------------------------------|----------|------------|--------|-------|
| Focal length | | f=25mm | | |
| Aperture range | | F=2.8~16 | | |
| Camera chip size | | 1.1" | 1" | 2/3" |
| Field of view | H | 30.4° | 26.95° | 18.5° |
| | V | 23° | 21.44° | 15.5° |
| | D | 37.3° | 33.92° | 23.9° |
| Distortion | | <0.2% | | |
| Closest focusing distance | | 0.15m | | |
| Maximum image size | | φ17.6mm | | |
| Rear intercept | | 17.526mm | | |
| Rear focal length | | 9.4mm | | |
| Filter mount diameter | | M35.5*P0.5 | | |
| Interface | | C-Mount | | |