

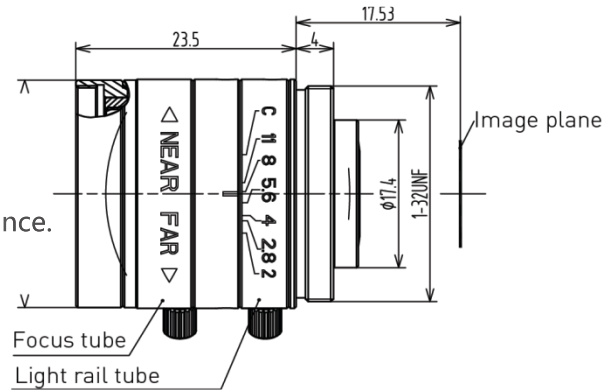
FA118-S06

Industrial Imaging Lens

Specifications

Features of industrial imaging lens

- Designed for machine vision applications.
- Support 6MP pixel camera, maximum target surface 1/1.8".
- A variety of focal lengths to choose from, adjustable aperture.
- High definition, high contrast, low distortion, excellent performance.
- Each lens has been rigorously tested to ensure constant quality.



1/1.8" F2.0 / 6 C-Mount				
Focal length		f=6mm		
Aperture range		F=1:2.0		
Camera chip size		1/1.8"	1/2"	1/3"
Perspective	H	59.6°	48.7°	41.9°
	V	46°	36.5°	31.4°
	D	69.8°	60.9°	52.4°
TV distortion		<0.1%		
Nearest distance MOD		0.1m		
Maximum target surface size		Φ9.4mm		
Filter thread size		M25.5xP0.5		
interface		C-Mount		